



Glass and Solid Door
Models Available

HYC-461GD/FD



Eco-friendly
Hydrocarbon Refrigerant



Energy Consumption



Temperature Uniformity

Pharmacy Refrigerator

Scope of Application

Used for storage of medicines, vaccines, reagents, biological products and other items that require a temperature between 2-8°C in hospitals, pharmacies, pharmaceutical factories, clinics and laboratories etc.

Innovative Design

- Purpose-built for medical and laboratory use
- High performance with low noise level
- Eco-friendly and energy saving
- Condensation free even at ambient 32°C & 80% RH
- Convenient monitoring and data export

Qingdao Haier Biomedical Co., Ltd.

No.280 Feng Yuan Road, High-tech Zone,
Qingdao, 266111, P.R. China
E-mail: inquiry@haierbiomedical.com
Website: www.haiermedical.com



Haier Biomedical
International



Haier Biomedical
International



@haiermedicalint



Haier Biomedical
International



Haier Biomedical
International

Product Features



Eco-friendly hydrocarbon refrigerant (R600a) and CFC- free polyurethane insulation for reduced global warming potential



Hermetically sealed compressor, forced-air circulation with auto defrost to ensure high cooling performance, temperature uniformity $\pm 1.5^{\circ}\text{C}$; anti-freezing thermostat is available to protect store items from freezing

HYC-461GD:

Triple-paned tempered glass door with frame heater to reduce condensation even at 32°C , 80% RH ambient; self-closing door hinge; magnetic gaskets to ensure a positive seal



HYC-461FD:

Self-closing door hinge with 90° stop; Magnetic gaskets to ensure a positive seal



Energy efficient interior LED lighting, side-mounted to enlighten full space



Optional USB module to easily record and export cabinet temperature and alarm data; optional RS485 port for easily external connection; optional printer to easily export cabinet temp data



A $\phi 25\text{mm}$ probe access port is standard on side wall to accept user-provided monitoring equipment



Multiple alarm functions for safer monitoring, audible/visual alert with mute function; remote alarm contact is equipped as standard



Convenient security with a top-mounted unique-key lock



4 swivel casters with 2 leveling feet for easily movement and fixing

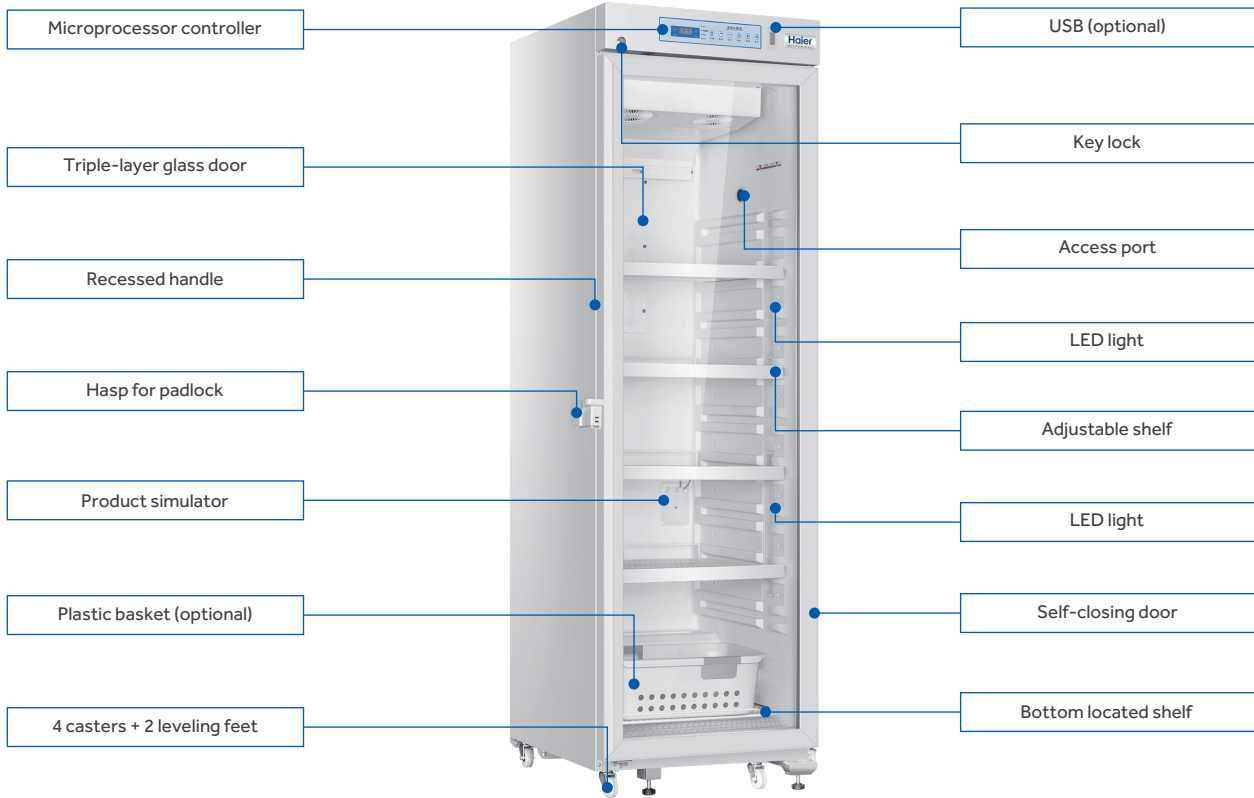


Microprocessor controller, digital display with 0.1°C resolution; easy to check the min/max temperature in the past 24 hours

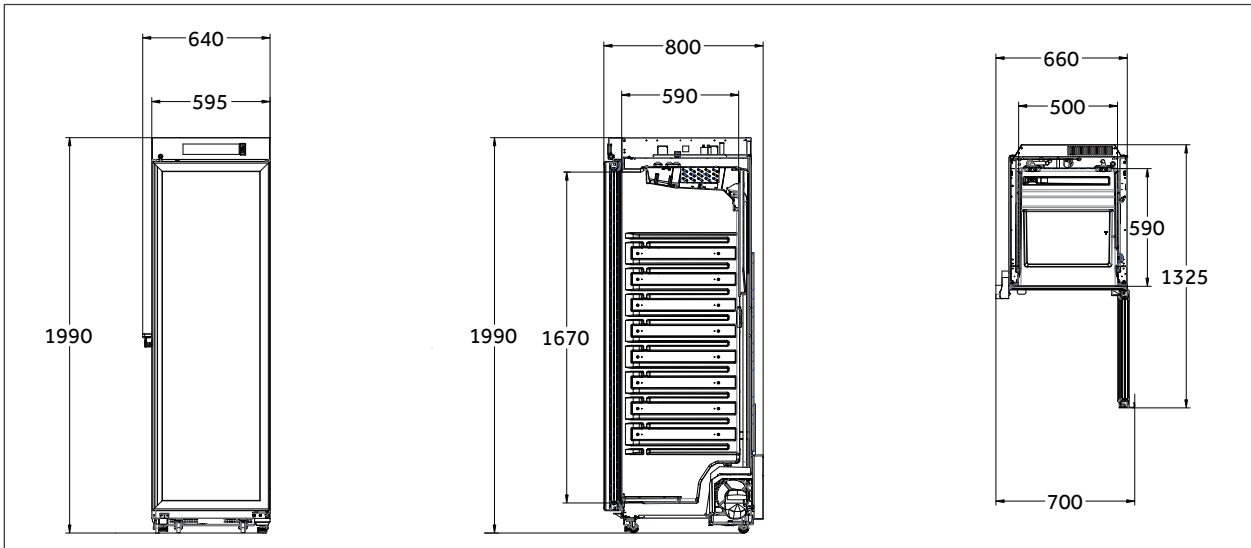


Adjustable plastic-coated wire shelves for improved circulation and flexible storage

Product Details



Product Dimension



Specifications



Model		HYC-461GD	HYC-461FD	
Technical Data	Cabinet Type	Upright, Glass Door	Upright, Solid Door	
	Climate Class	N, 16-32°C	N, 16-32°C	
	Cooling Type	Forced Air Cooling	Forced Air Cooling	
	Defrost Mode	Auto	Auto	
	Refrigerant	R600a	R600a	
	Sound Level (dB(A))	37	37	
Performance	Temperature Range (°C)	2-8	2-8	
Control	Controller	Microprocessor	Microprocessor	
	Display	LED	LED	
Electrical Data	Power Supply (V/Hz)	220-240/50	220-240/50	
	Power(W)	310	310	
	Electrical Current (A)	1.7	1.7	
Performance Characteristics	Temperature Sensor	NTC	NTC	
	Power Consumption (kWh/24h)	1.85	1.85	
Dimensions	Capacity (L/Cu.Ft)	461/16.3	461 / 16.3	
	Net/Gross Weight (approx)	kg	115/125	115/125
		lbs	254/276	254/276
	Interior Dimensions (W*D*H)	mm	500*590*1670	500*590*1670
		in	19.7*23.2*65.7	19.7*23.2*65.7
	Exterior Dimensions (W*D*H)	mm	595*800*1990	595*800*1990
		in	23.4*31.5*78.3	23.4*31.5*78.3
	Packing Dimensions (W*D*H)	mm	720*930*2100	720*930*2100
		in	28.3*36.6*82.7	28.3*36.6*82.7
	Container Load (20'/40'/40'H)		18/37/37	18/37/37
Alarms	High/Low Temperature	Y	Y	
	High Ambient Temperature	Y	Y	
	Door Ajar	Y	Y	
	Power Failure	Y	Y	
	Low Battery	Y	Y	
	Sensor Error	Y	Y	
	Communication Failure	Y	Y	
	Condenser Heat	Y	Y	
	Remote Alarm	Y	Y	
Accessories	Caster	4	4	
	Foot	2	2	
	Porthole	2	2	
	Shelves/Drawers	6/-	6/-	
	Printer	Optional	Optional	
	Chart Recorder	N/A	N/A	
	USB Interface	Optional	Optional	
	RS485	Optional	Optional	
	Electromagnetic Lock	N/A	N/A	
	Plastic Basket	Optional	Optional	
Material	Exterior Material	Painted Steel	Painted Steel	
	Interior Material	Polystyrene	Polystyrene	
	Door Thickness (mm)	50	50	
	Cabinet Thickness (mm)	45	45	
Others	Certification	CE, DIN13277 (Optional)	CE, DIN13277 (Optional)	

*Haier Biomedical reserves the right to change products and specifications without prior notice.